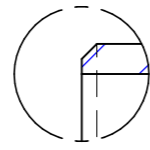
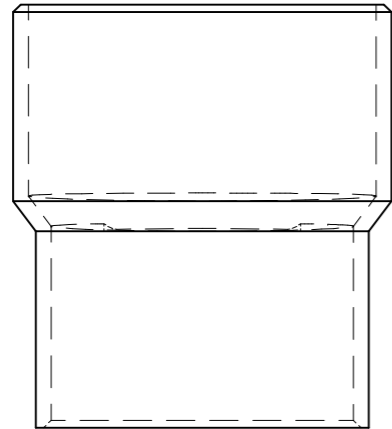
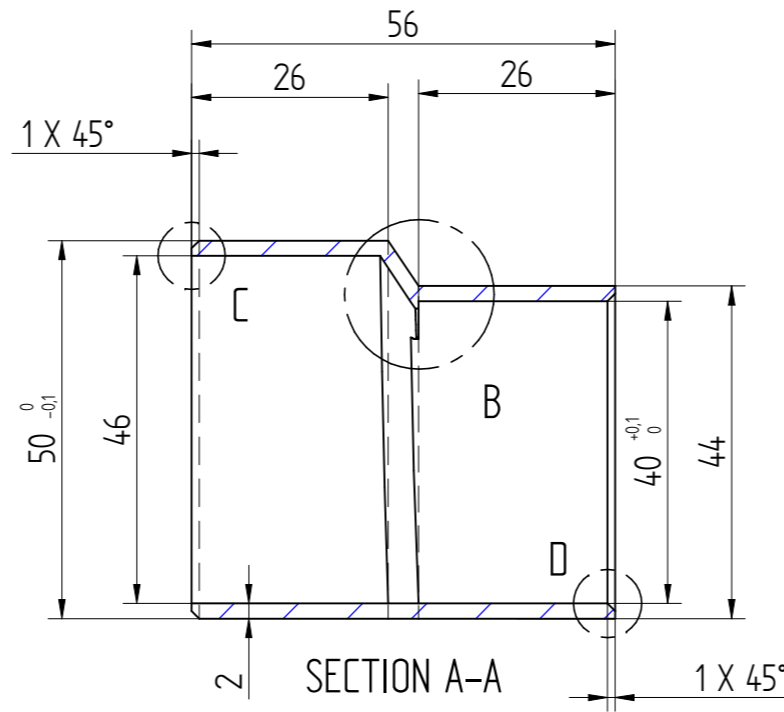


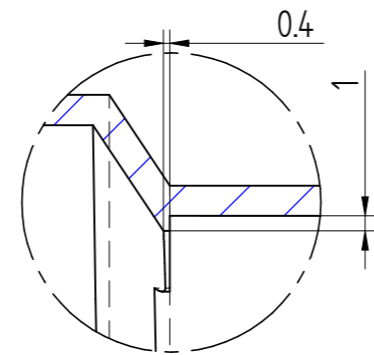
A



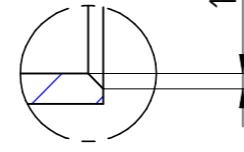
DETAIL C



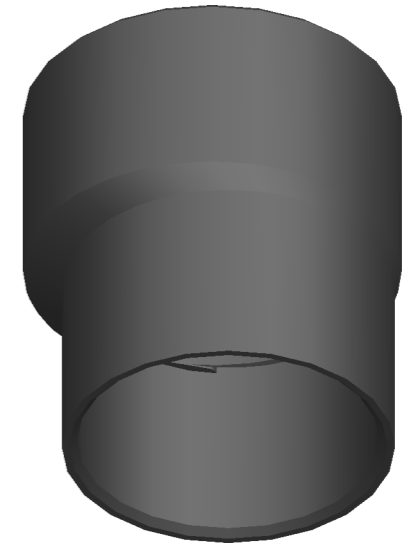
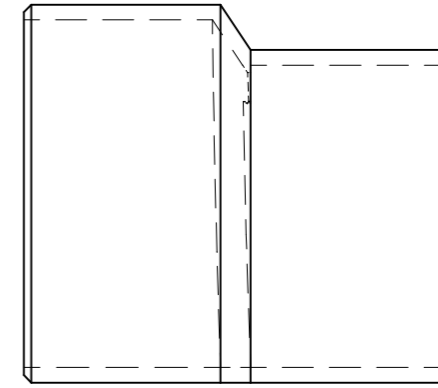
SECTION A-A

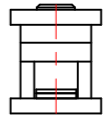
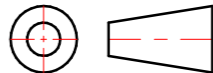


DETAIL B



DETAIL D



	NAME	DATE	 <b>VAN EGMOND DESIGN</b> <i>product and mold design</i>		
DRAWN	Dick	06/24/11			
CHECKED			TITLE		
CUSTOMER:			VERLOOP 40 - 50		
PROJECTION:			SIZE	DWG NO	REV
			A3		
MATERIAL: ABS			FILE NAME: verloop 40-50.dft		
VOLUME: 16,06 cm <sup>3</sup>		MASS: 16,449 g	SCALE: 1:1	SHEET 1 OF 1	